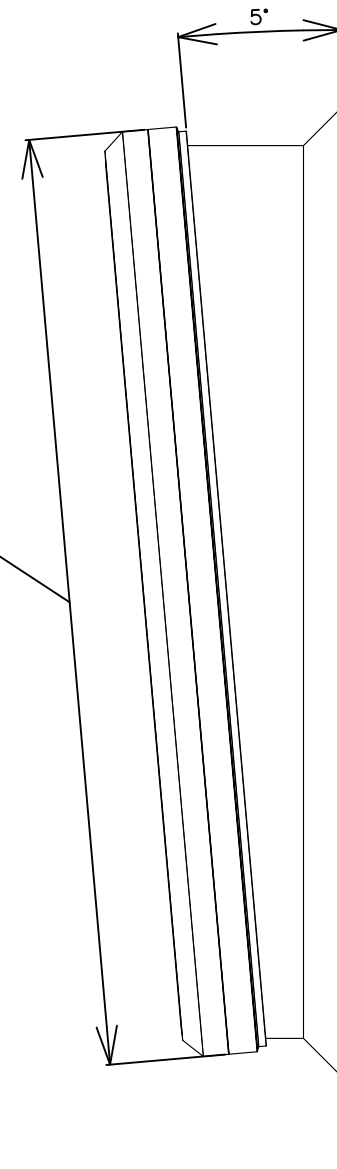
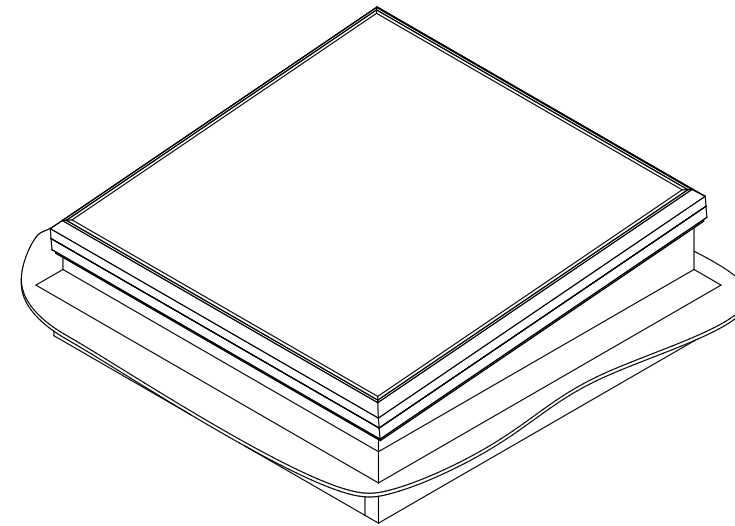
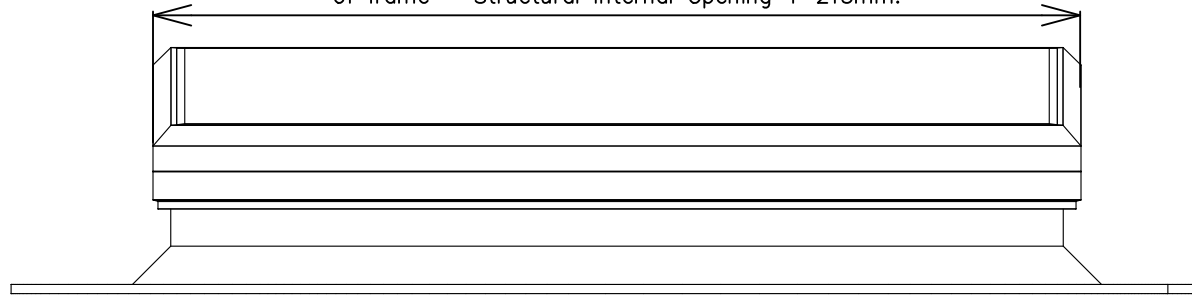


External dimension
of frame =
Structural Internal Opening
+ 213mm.



External dimension
of frame = Structural Internal Opening + 213mm.



Vision Rooflights Limited

Unit E5,
Welland Business Park,
Valley Way,
Market Harborough,
Leicestershire,
LE16 7PS
T. 01858 412171; F. 01858 431564; sales@visionrooflights.co.uk



Product:
VISION-ROOFLIGHT (DOUBLE GLAZED)

Description:
Elevation view (Top View, Front View and
Side View).

Drawing NUMBER:
VRL-FGF-S-DG78-008

Revision:

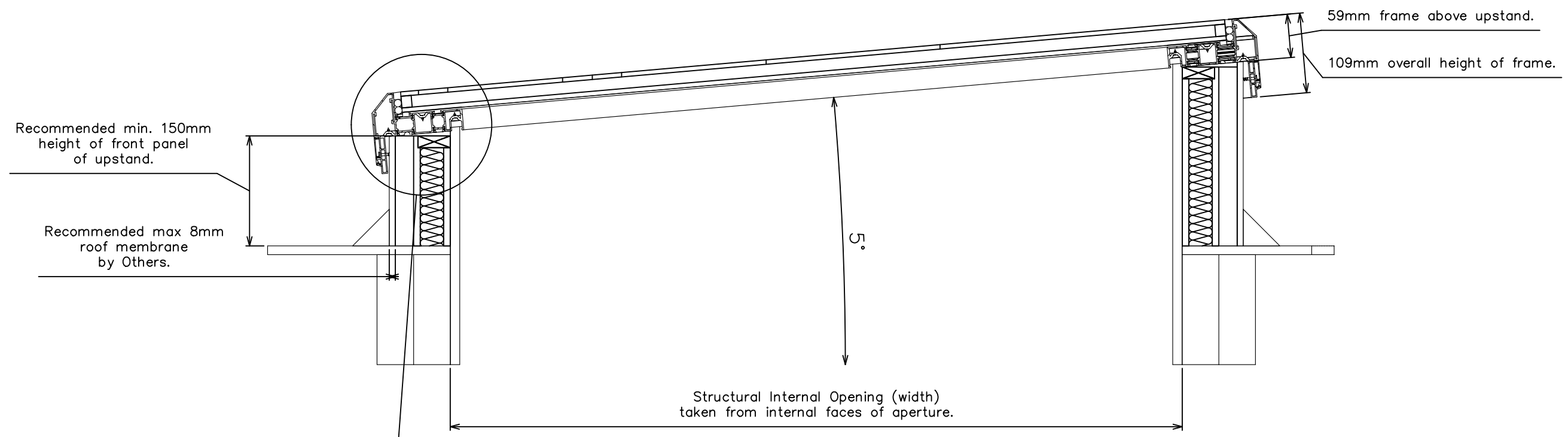
Date:
01/08/2015

Scale:
NTS @ A3

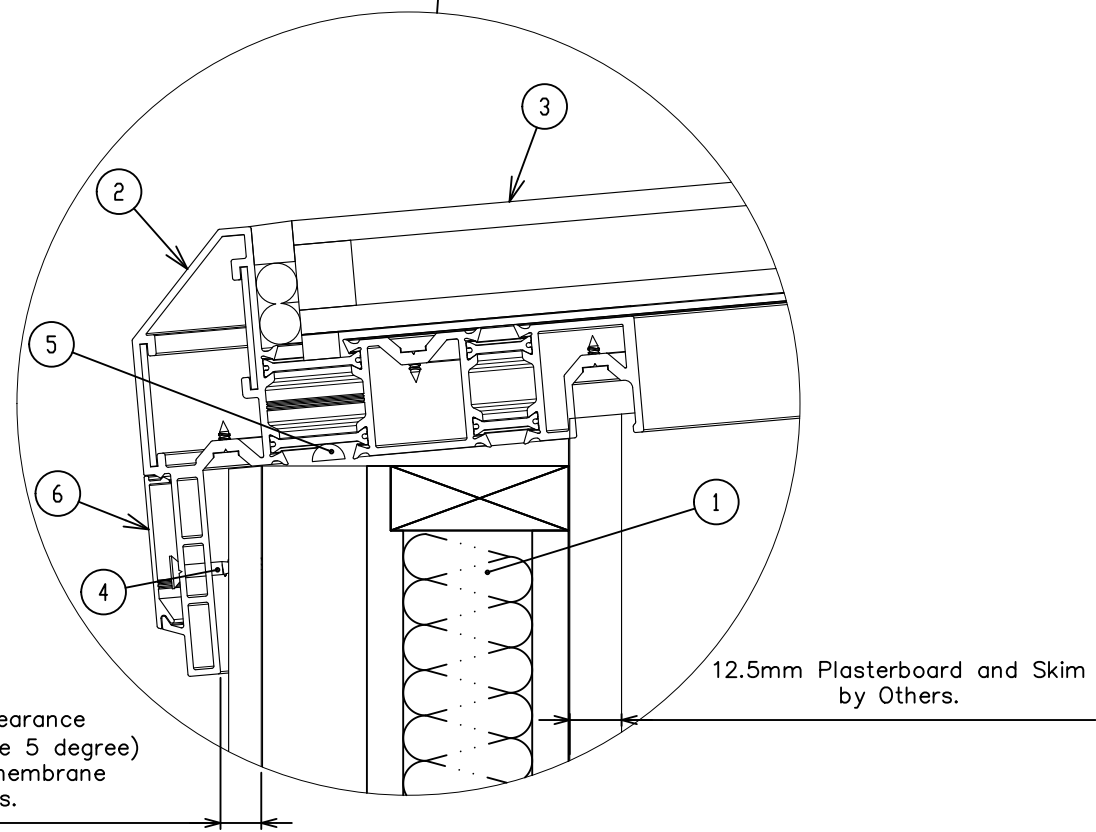
Drawn By:
WK

Rev: Description:

By: Date:



SECTION A-A



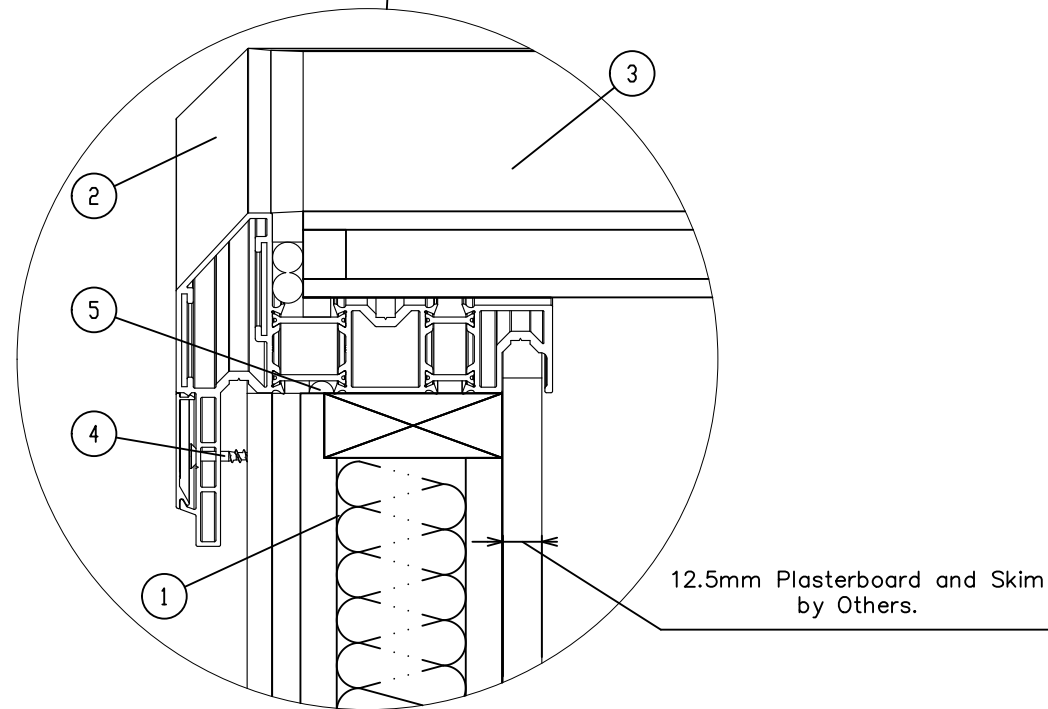
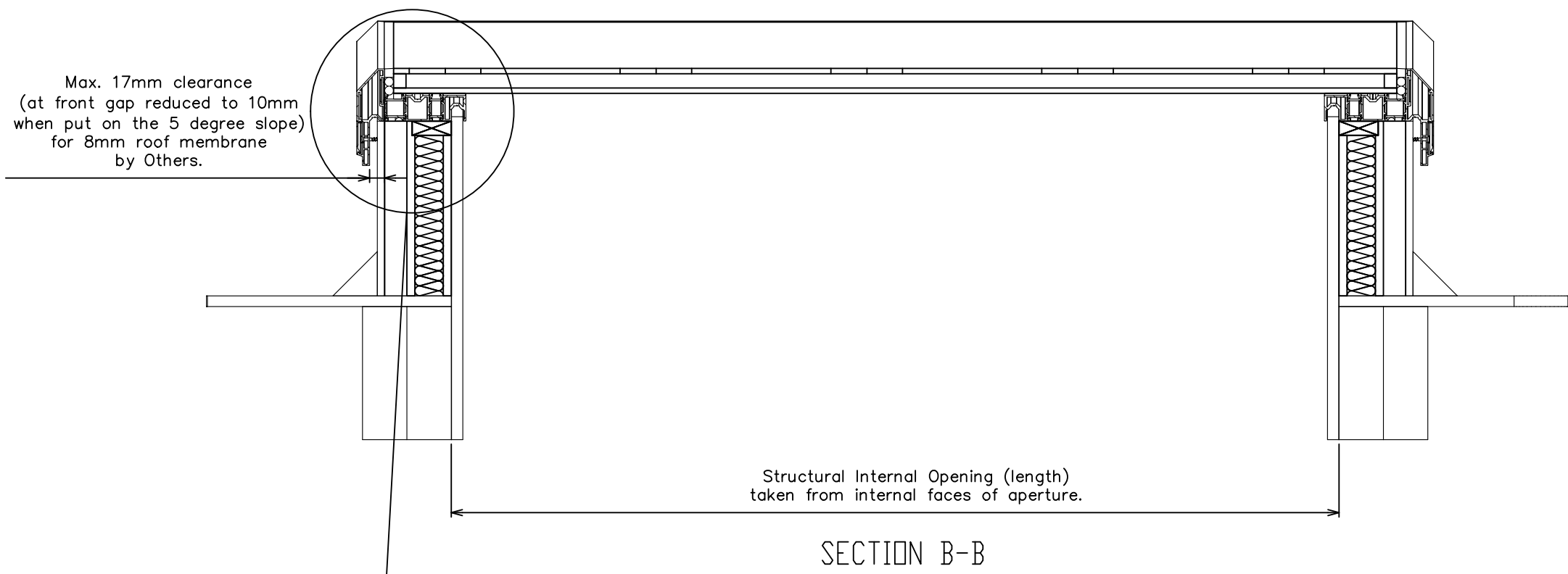
ITEM NO.	DESCRIPTION	QTY.
1	75mm fully insulated upstand supplied by Vision Rooflights Limited (available at an extra cost)	1
2	Rooflight(s) frame.	1
3	28mm Insulated Glass Unit.	1
4	4.5x50 Wood Screw (comes with upstand).	12
5	8mm bead of neutral curing silicone sealant to perimeter of upstand applied prior to fitting of Rooflight(s) by Others.	N/A
6	Rooflight(s) capping.	4

Vision Rooflights Limited
 Unit E5,
 Welland Business Park,
 Valley Way,
 Market Harborough,
 Leicestershire,
 LE16 7PS
 T. 01858 412171; F. 01858 431564; sales@visionrooflights.co.uk

Product:
 VISION-ROOFLIGHT (DOUBLE GLAZED)
 Description:
 Section Throught Upstand/
 Framework Construction.

Drawing NUMBER:
 VRL-FGF-S-DG78-009
 Date: 01/08/2015
 Scale: NTS @ A3
 Drawn By: WK

Revision:
 Rev: Description: By: Date:



ITEM NO.	DESCRIPTION	QTY.
1	75mm fully insulated upstand supplied by Vision Rooflights Limited (available at an extra cost)	1
2	Rooflight(s) frame.	1
3	28mm Insulated Glass Unit.	1
4	4.5x50 Wood Screw (comes with upstand).	12
5	8mm bead of neutral curing silicone sealant to perimeter of upstand applied prior to fitting of Rooflight(s) by Others.	N/A
6	Rooflight(s) capping.	4

Vision Rooflights Limited
 Unit E5,
 Welland Business Park,
 Valley Way,
 Market Harborough,
 Leicestershire,
 LE16 7PS
 T. 01858 412171; F. 01858 431564; sales@visionrooflights.co.uk



Product:
 VISION-ROOFLIGHT (DOUBLE GLAZED)
 Description:
 Section Through Upstand/
 Framework Construction.

Drawing NUMBER:
 VRL-FGF-S-DG78-010
 Date: 01/08/2015
 Scale: NTS @ A3
 Drawn By: WK

Revision: .
 Rev: Description: By: Date: